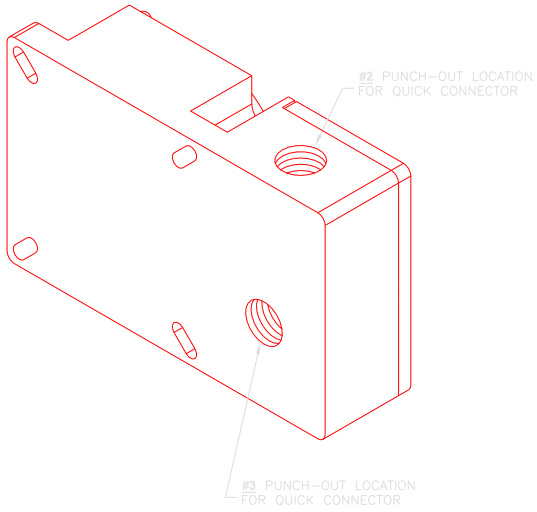
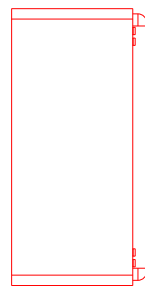
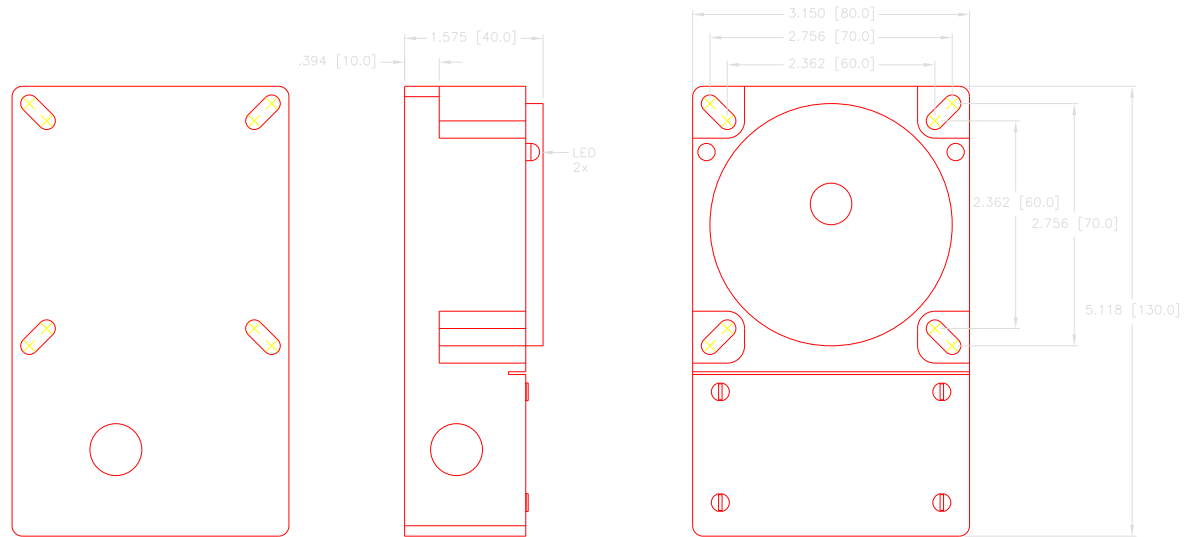
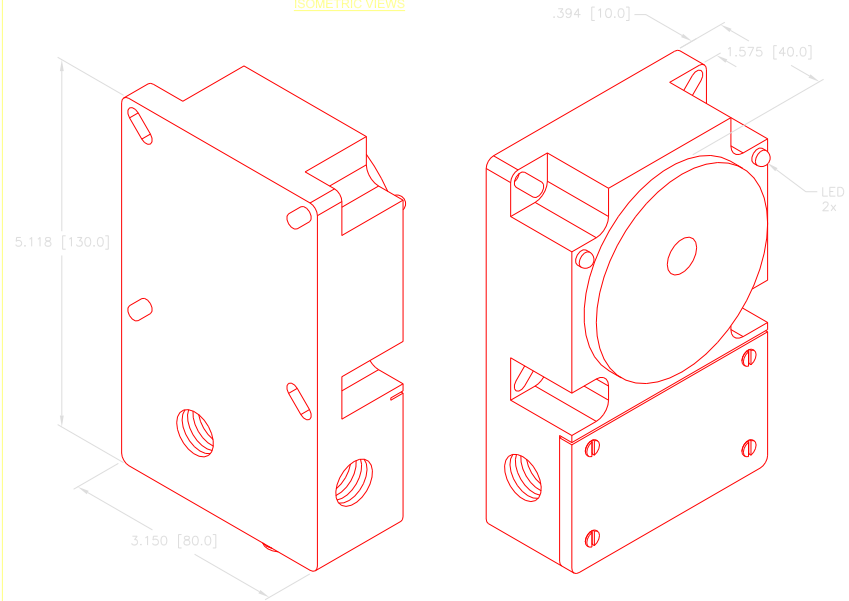


PUNCH-OUT LOCATIONS



ISOMETRIC VIEWS



Housing for 85 STYLE
Date: 09/02/02
Scale: 1=1