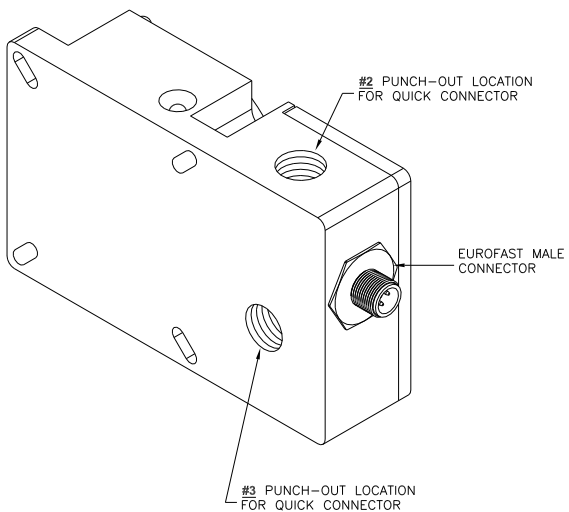


PUNCH-OUT LOCATIONS



ISOMETRIC VIEWS

