



Transceiver ERP-120/ANT89

Identification Systems

Logic .ID Series

Description

The ERP-120/ANT89 Transceiver has a remote 89 style antenna. The antenna is connected to the ERP-120 with a 1.8m cable.

Connected with a BALOGH control board, it enables at a 125-kHz carrier frequency to:

Reads or Writes to OP series TAGS (112-byte Read/Write TAG).

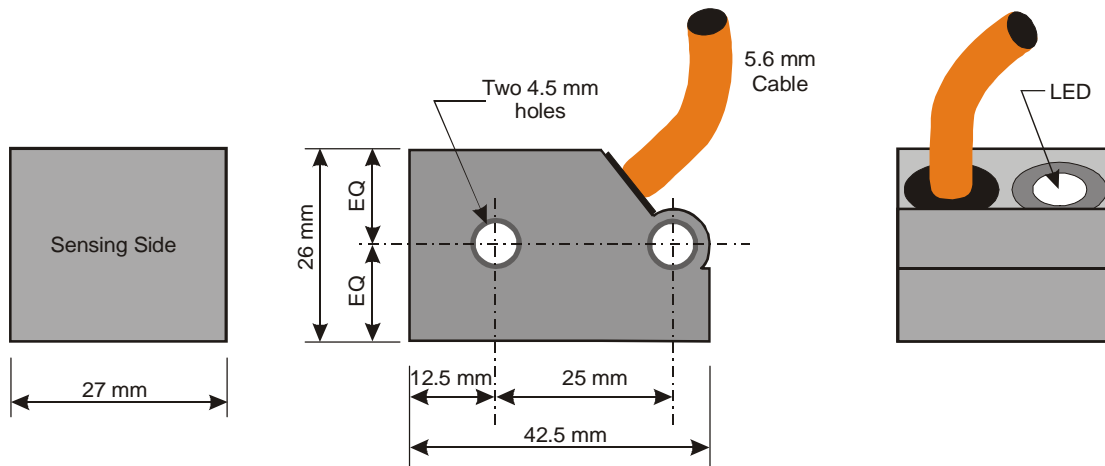


Layout

The ERP-120/ANT89 - Control board is connected by a shielded cable (maximum cable length – 300m)

Warning: Multiplexing several ERP-120/ANT89's together can result in damaging hardware.

If the ERP-120/ANT89 antenna is mounted outdoors, the plug must face downward.



PIN	Assignment
1	+24V
2	TR output
3	TR Input
4	0V
5	Shield

Transmitting Characteristics

TAG Read/Write Ranges

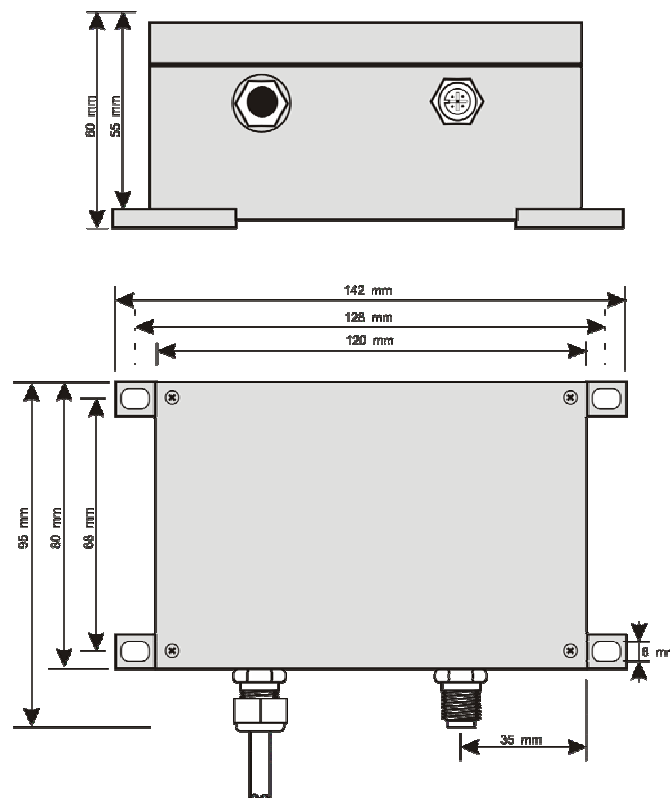
			OP-20/DISC		OP-30/DISC		OP-30/PVC		OP-50/DISC		OP-ISOCARD	
			Read	Write	Read	Write	Read	Write	Read	Write	Read	Write
Maximum Range	H	mm	75	30	110	43	85	38	115	55	130	63
Recommended Range	Sr	mm	30	12	44	17	34	15	46	22	52	25

General Characteristics

Operating Temperature	-25°C to +70°C
Weight	400 g
Protection Rating	IP 65
Packaging	ABS

Electrical Characteristics

Power Supply Voltage	24 VDC
Range of Voltage	21 to 29 VDC (including ripple)
Current Consumption	400 mA



Updated: 5/9/2003